



KOHLHAUER® NOISE BARRIERS – QUALITY OF LIFE

KOHLHAUER® POINT FIXING SYSTEM

Austria · Belgium · China · Czech Republic · France · Germany · Greece · Hong Kong · Italy · Korea · Latvia · Netherlands · Poland · Romania · Russia · Slovakia · Spain · Sweden · Switzerland · United Kingdom

TOP OF THE RANGE <

Anchor point fixing

Innovative and functional design

Proven, durable quality



KOHLHAUER **SCORSA**[®] – UTMOST FUNCTIONALITY

KOHLHAUER[®] POINT FIXING

KOHLHAUER[®] POINT FIXING is a top of the range solution for exigent architects and planners. This sprung point support is a patented innovation that combines the glass elements elastically with the narrow post structure via springs.

Modern soundproofing technically and visually effective

To allow rail travellers a view of woods, valleys and other sights but at the same time to provide residents with effective protection from noise, planners are more and more often specifying transparent soundproofing screens. But the essential posts and horizontal supports interrupt the clear view and to date they have spoilt the look.

Architects looked in vain for the perfect technical solution so as to achieve the greatest possible transparency. An innovative sprung point support is an efficient solution for this problem. It opens up the view and guarantees structural solidity.

The springs, which can move in all directions, absorb part of the vibration energy and do not transmit it to the support structure of the posts.

Benefits

- Full transparency / no frames
- High chemical resistance
- To use on railways, highways, bridges, etc.
- Suitable for different transparent materials
- High end design
- Light weight construction
- Highest light transmission
- Impact resistance against stonethrow and vandalism
- Along roads different screen prints (bird protection) possible
- Save in case of accidents because of inside filaments



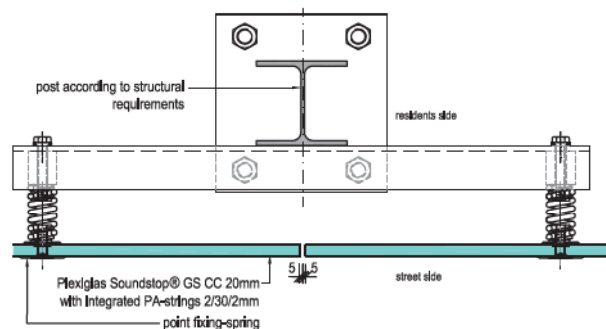
KOHLHAUER **SCORSA**[®] – UTMOST FUNCTIONALITY

KOHLHAUER[®] POINT FIXING

KOHLHAUER[®] POINT FIXING is a top of the range solution for exigent architects and planners. This sprung point support is a patented innovation that combines the glass elements elastically with the narrow post structure via springs.

The new solution for different applications

To allow rail travellers a view of woods, valleys and other sights but at the same time to provide residents with effective protection from noise, planners are more and more often specifying transparent soundproofing screens. But the essential posts and horizontal supports interrupt the clear view and to date they have spoilt the look.



An innovative sprung point support is an efficient solution for this problem. It opens up the view and guarantees structural solidity.

The springs, which can move in all directions, absorb part of the vibration energy and do not transmit it to the support structure of the posts.





R. Kohlhauer GmbH
Draisstraße 2
76571 Gaggenau | Germany
Phone: 0049 7225 9757-0
Fax: 0049 7225 9757-26
E-Mail: info@kohlhauer.com

WWW.KOHLHAUER.COM

MORE KOHLHAUER® PRODUCTS



The reasonable and proven all-round Grid-Insulation-System (GIS) with many design variations.



The plantable noise barrier - eco-friendly, sustainable and high functional.



Double benefit: Noise barrier combined with sustainable power generation through solar technology.

